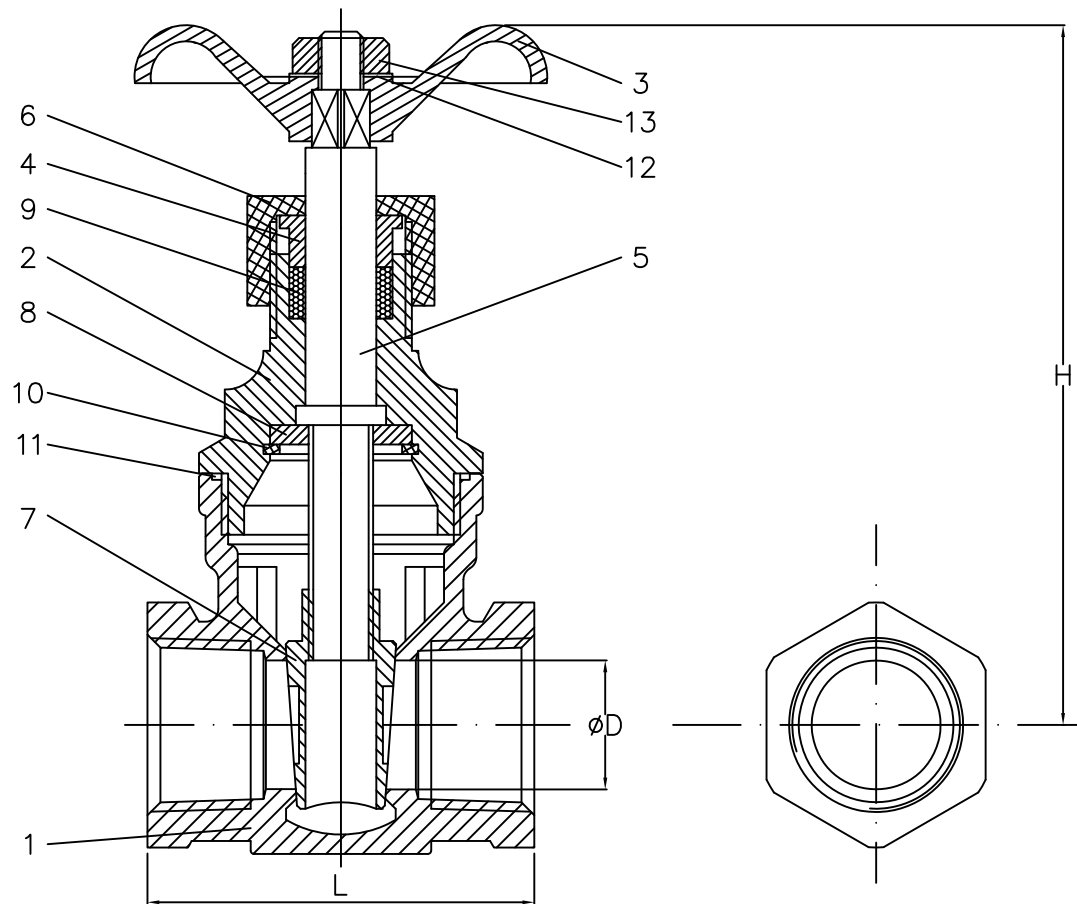


No	Q'ty	Material	Parts Name
1	1	ASTM A351 CF8M	Body
2	1	ASTM A351 CF8M	Bonnet
3	1	Aluminum	Hand Wheel
4	1	S.S.316	Gland
5	1	S.S.316	Stem
6	1	S.S.304	Packing nut
7	1	S.S.316	Disc
8	1	S.S.316	Stem washer
9	1	TEFLON	Gland Packing
10	1	SUS316	Snap ring
11	1	TEFLON	Joint Gasket
12	1	Aluminum	Name plate
13	1	S.S.304	Wheel nut

**MODEL # 907**  
**200# STAINLESS STEEL GATE VALVE**  
**1/2" ~ 2"**



Name Gate Valve Date May 25, 2004 NO MODEL #907

size dim unit	1/2		3/4		1		1-1/4		1-1/2		2		INCH	MM	INCH	MM	INCH	MM	INCH	MM
	INCH	MM	INCH	MM	INCH	MM	INCH	MM	INCH	MM	INCH	MM								
D	0.59	15	0.79	20	0.98	25	1.26	32	1.50	38	1.97	50								
L	2.17	55	2.36	60	2.56	65	3.15	80	3.35	85	3.74	95								
H	3.74	95	4.33	110	4.72	120	5.31	135	5.71	145	6.69	170								