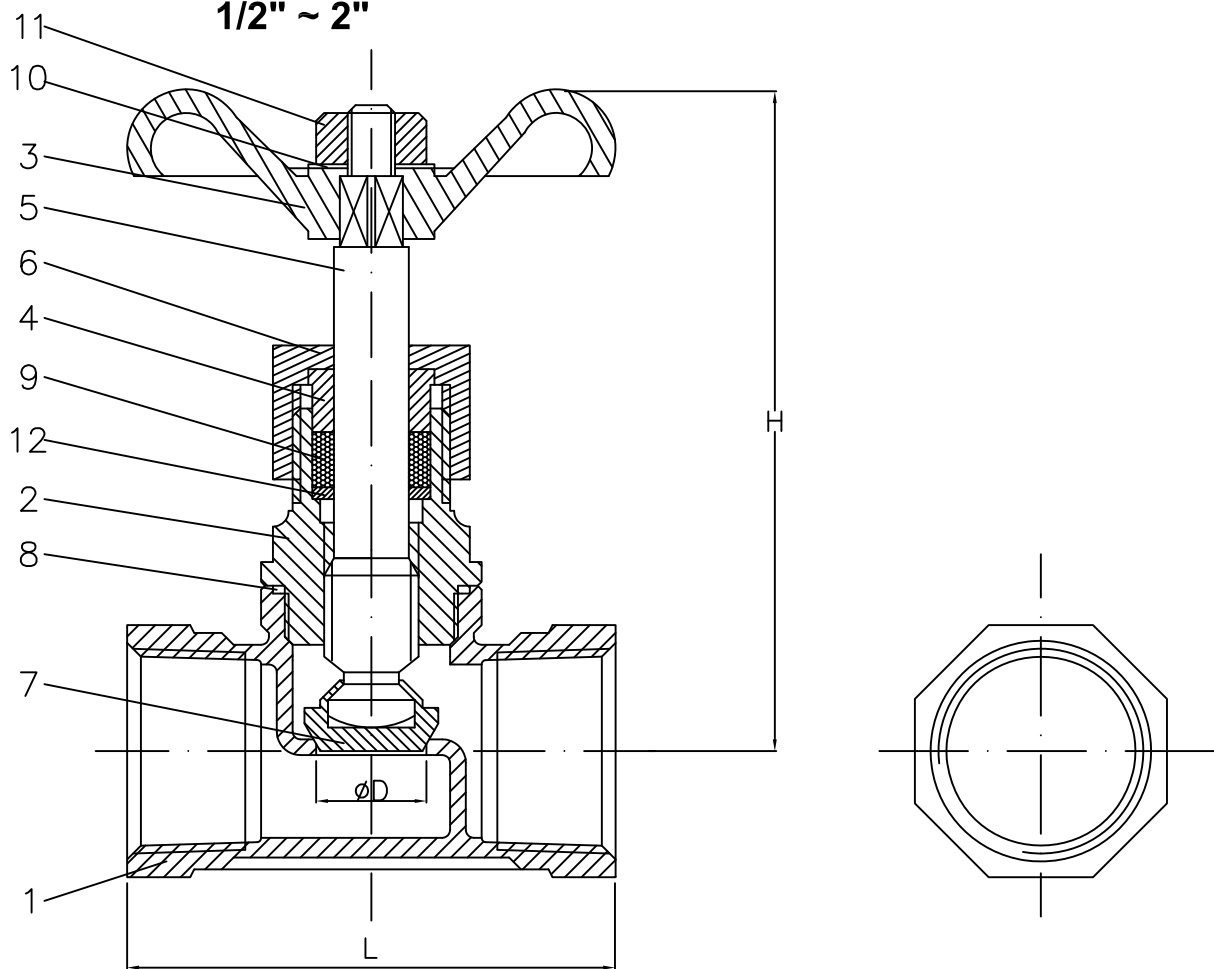


NO	Q'ty	Material	Part Name
1	1	ASTM A351 CF8M	Body
2	1	ASTM A351 CF8M	Bonnet
3	1	Aluminum	Hand Wheel
4	1	S.S.316	Gland
5	1	S.S.316	Stem
6	1	S.S.304	Gland nut
7	1	S.S.316	Disc
8	1	TEFLON	Joint Gasket
9	1	TEFLON	Gland packing
10	1	Aluminum	Name plate
11	1	S.S.304	Wheel nut
12	1	S.S.316	Packing washer

MODEL # 908
200# STAINLESS STEEL GLOBE VALVE
1/2" ~ 2"



				Name				Globe Valve				Date		May 25, 2004		NO		MODEL #908	
size dim unit	1/2		3/4		1		1-1/4		1-1/2		2								
	INCH	MM	INCH	MM	INCH	MM	INCH	MM	INCH	MM	INCH	MM	INCH	MM	INCH	MM			
D	0.39	10	0.59	15	0.79	20	0.98	25	1.26	32	1.50	38							
L	2.17	55	2.44	62	2.95	75	3.15	80	3.54	90	4.13	105							
H	2.95	75	3.35	85	3.54	90	3.94	100	4.53	115	4.72	120							
J&M INTERNATIONAL LTD.																			