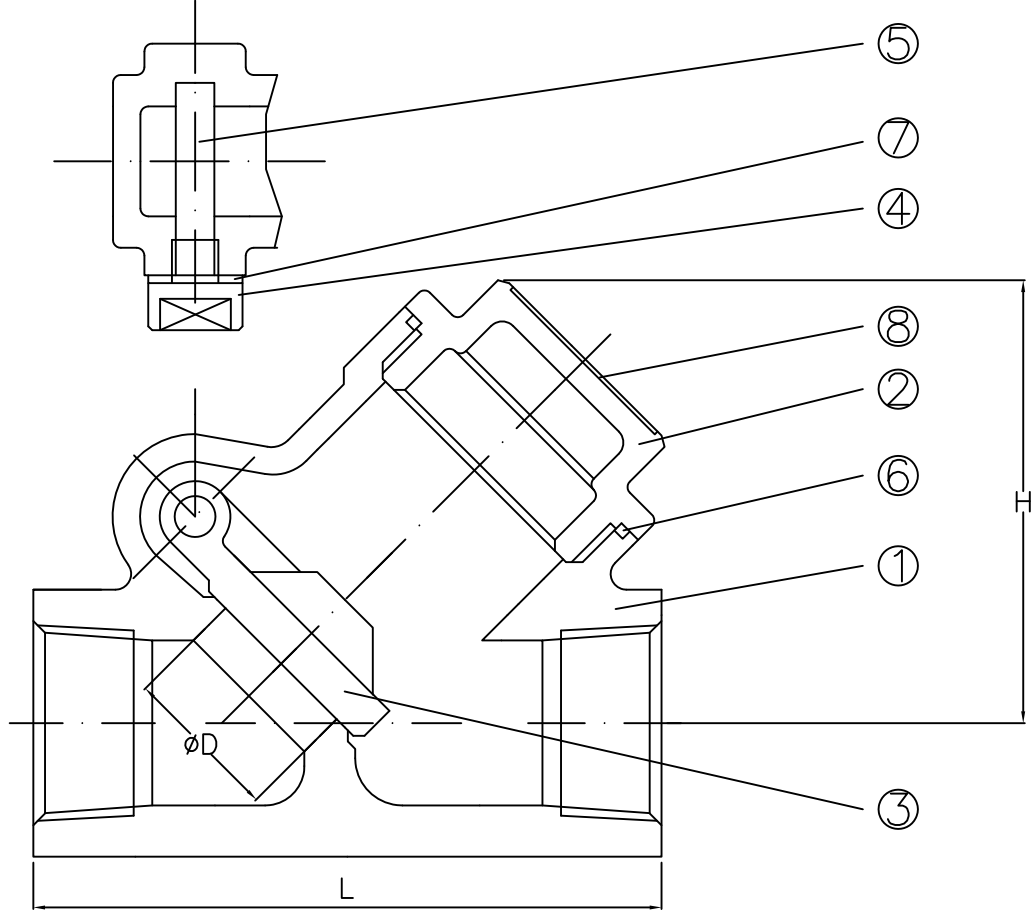


NO.	QTY	PART NAME	MATERIAL
1	1	BODY	ASTM A351 CF8M
2	1	BONNET	ASTM A351 CF8M
3	1	DISC	ASTM A351 CF8M
4	1	PLUG	S.S.316
5	1	HINGE PIN	S.S.316
6	1	GASKET PACKING	TEFLON
7	1	GASKET PACKING	TEFLON
8	1	NAME PLATE	Aluminum

**MODEL # 919**  
**200# "Y" TYPE STAINLESS STEEL SWING CHECK VALVE**  
**1/2" ~ 2"**



SIZE	1/2		3/4		1		1-1/4		1-1/2		2	
	INCH	MM	INCH	MM	INCH	MM	INCH	MM	INCH	MM	INCH	MM
L	2.56	65	3.15	80	3.54	90	4.13	105	4.72	120	5.51	140
H	1.81	46	2.20	56	2.60	66	2.99	76	3.54	90	4.13	105
D	0.59	15	0.79	20	0.98	25	1.26	32	1.50	38	1.97	50

**J&M INTERNATIONAL LTD.**