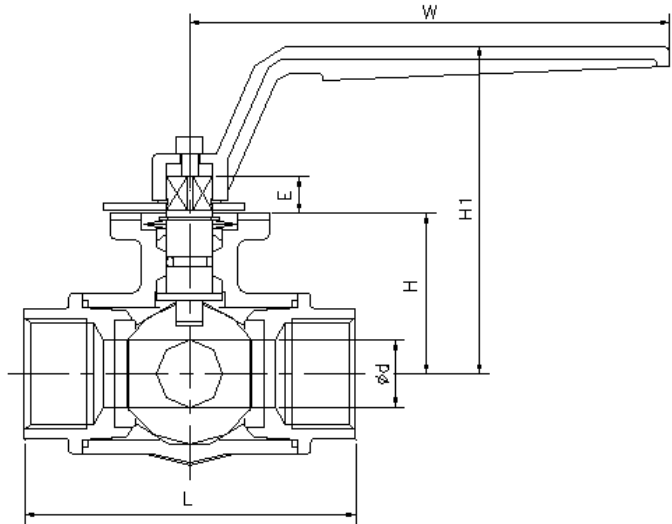


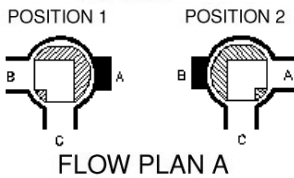
FLOW PATTERNS FOR 3 WAY THREADED BALL VALVES

FOR MODEL : #13DM / #14DM



****All flow patterns can be changed in the field without disassembling valve.**

L-PORT:

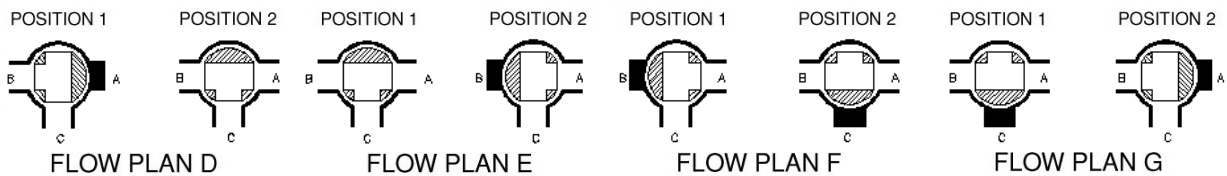


DIMENSIONS

(inch)

| SIZE | ød | L | H | E | W | H1 | ISO 5211 |
|--------|------|------|------|------|------|------|----------|
| 1/4" | 0.44 | 2.95 | 1.56 | 0.31 | 4.53 | 3.15 | F03/F04 |
| 3/8" | 0.50 | 2.95 | 1.56 | 0.31 | 4.53 | 3.15 | F03/F04 |
| 1/2" | 0.50 | 2.95 | 1.56 | 0.31 | 4.53 | 3.15 | F03/F04 |
| 3/4" | 0.63 | 3.35 | 1.69 | 0.31 | 4.53 | 3.31 | F03/F04 |
| 1" | 0.79 | 3.94 | 1.87 | 0.43 | 5.71 | 3.86 | F04/F05 |
| 1-1/4" | 0.98 | 4.53 | 2.09 | 0.43 | 5.71 | 4.06 | F04/F05 |
| 1-1/2" | 1.26 | 4.96 | 2.42 | 0.55 | 8.66 | 4.69 | F05/F07 |
| 2" | 1.50 | 5.83 | 2.78 | 0.55 | 8.66 | 5.04 | F05/F07 |

T-PORT: 90°



T-PORT: 180°



T-PORT: 180°



J&M INTERNATIONAL LTD.

1278 W. 70th Street, Cleveland, Ohio 44102

1-800-860-0232 216-631-9484 Fax 216-631-9486

E-mail: janet@jmilt.com, dick@jmilt.com, diane@jmilt.com

Website: www.jmilt.com