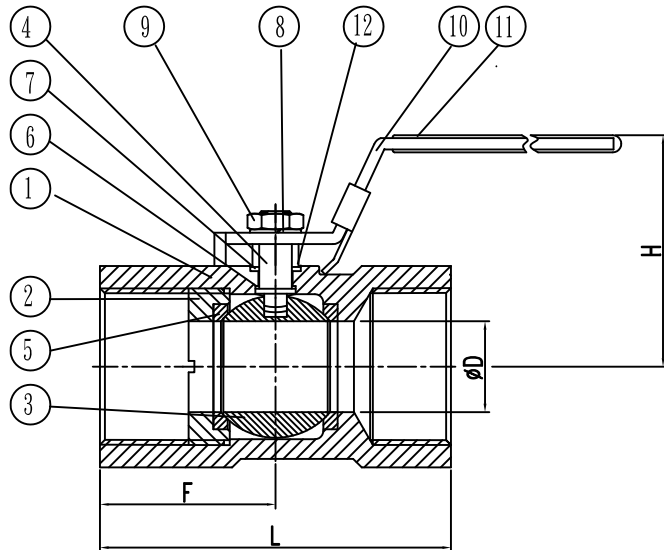
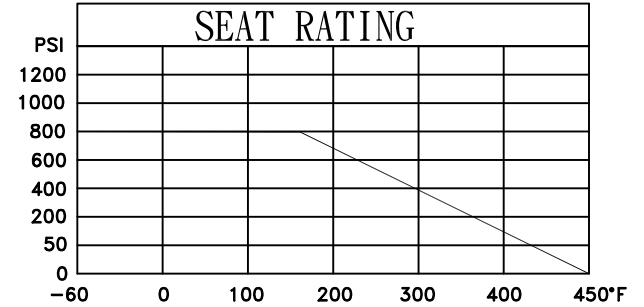


MODEL YK511

REDUCED BORE

800WOG

1/4"-2"



DIMENSIONS(INCH)

SIZE	ø D	E	F	H	L
1/4"	0.2	2.46	0.8	1.5	1.54
3/8"	0.28	2.87	0.89	1.57	1.73
1/2"	0.35	3.35	1.13	2.01	2.22
3/4"	0.49	3.54	1.13	2.13	2.32
1"	0.63	4.21	1.38	2.2	2.8
1 1/4"	0.79	4.21	1.48	2.42	3.07
1 1/2"	0.98	5.2	1.6	2.68	3.27
2"	1.26	5.2	1.93	2.83	3.94

MATERIALS LIST

NO.	PART NAME	MATERIAL
1	BODY	ASTM-CF8M-A351
2	SEAT RETAINER	SS 316
3	BALL	ASTM-CF8M-A351
4	STEM	SS 316
5	SEAT	PTFE
6	THRUST WASHER	PTFE
7	STEM PACKING	PTFE
8	STEM WASHER	SS 304
9	STEM NUT	SS 304
10	HANDLE	SS 304
11	COVER	PLASTIC
12	PACKING RING	SS 304

REVISION	DATE	DESCRIPTION	DRAWN BY PETER	DESIGNED BY PETER	SCALE	J&M INTERNATIONAL LTD	MODEL YK511	DRAWING NO.
			CHECKED BY LUCK	APPROVAL BY LUCK	DATE 87-12-08			