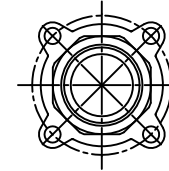
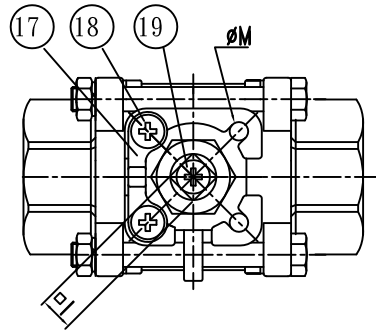


SERIES YK532

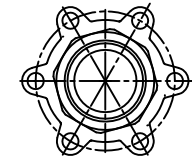
ISO 5211 DIRECT MOUNT PAD

FULL BORE

1/2"-4" 1000WOG



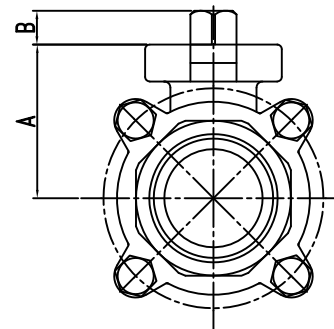
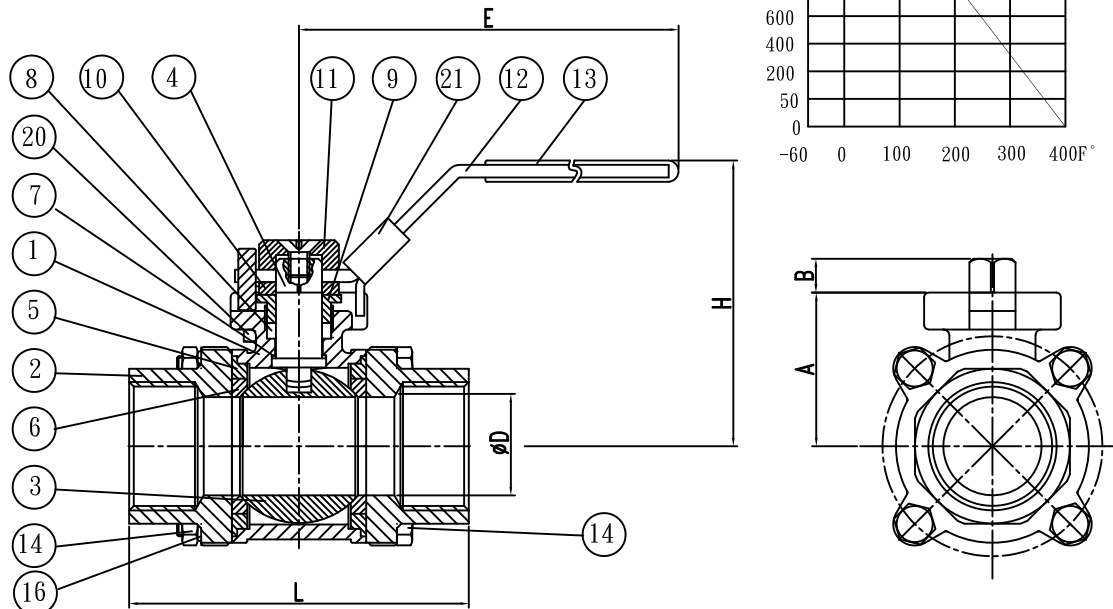
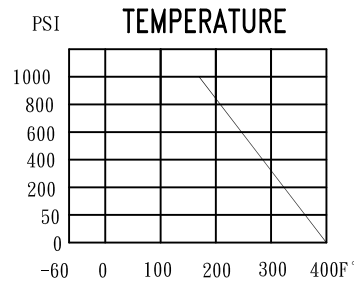
*1/2"-2"



* 2 1/2"-4"

■ MATERIALS LIST

NO.	PART NAME	Q'TY	MATERIAL
1	BODY	1	ASTM-CF8M-A351
2	END CAP	2	ASTM-CF8M-A351
3	BALL	1	ASTM-CF8M-A351
4	STEM	1	SS316
5	JOINT GASKET	2	PTFE
6	SEAT	2	PTFE
7	STEM SEAL	1	PTFE
8	STEM PACKING	1	PTFE
9	GLAND NUT	1	SS304
10	HANDLE WASHER	1	SS304
11	STEM WASHER	1	SS304
12	HANDLE	1	SS304
13	HANDLE SLEEVE	1	VINYL
14	BOLT	*	SS304
15	WASHER	*	SS304
16	BOLT NUT	*	SS304
17	STOPPER	1	SS304
18	STOPPER BOLT	2	SS304
19	HANDLE BOLT	1	SS304
20	STOPPER NUT	2	SS304
21	LOCKING DEVICE	1	SS304



修訂 REVISION	日期 DATE	說明 DESCRIPTION	DRAWN BY	DESIGNED BY	SCALE
△	99-05-13	螺栓方向修改	PETER	PETER	
			CHECKED BY LUKE	APPROVAL BY LUKE	日期 DATE 91-03-19

J&M INTERNATIONAL LTD

SERIES YK532

DRAWING NO.

8015-1/2