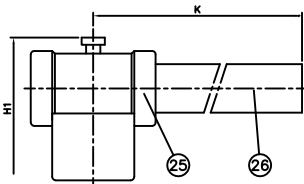
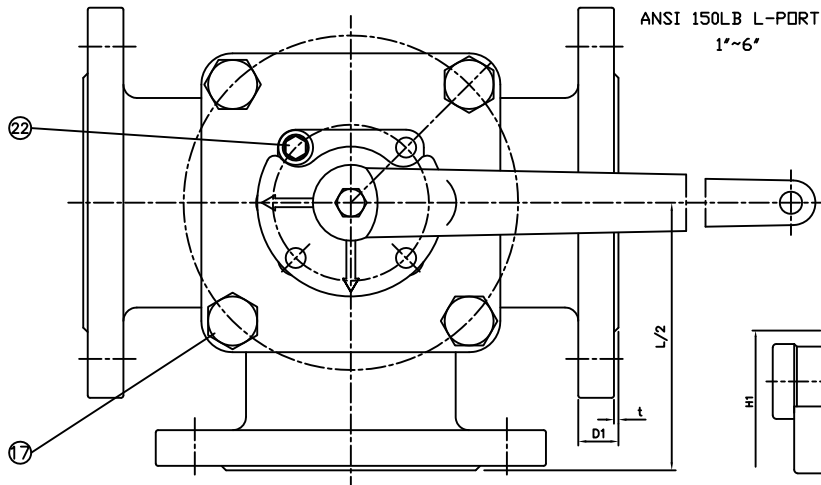


MODEL YK35

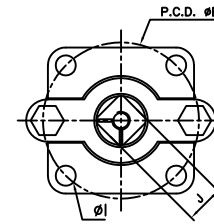
DIMENSION LIST

UNIT:(Inch)

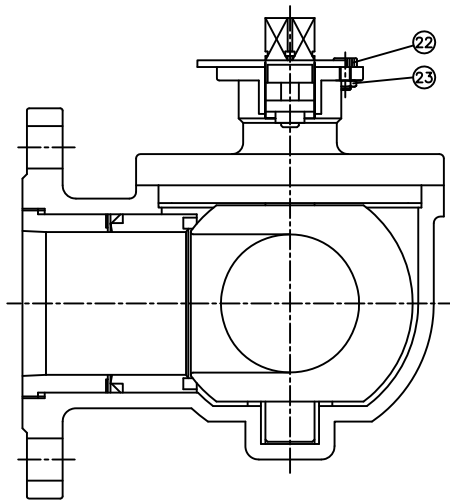
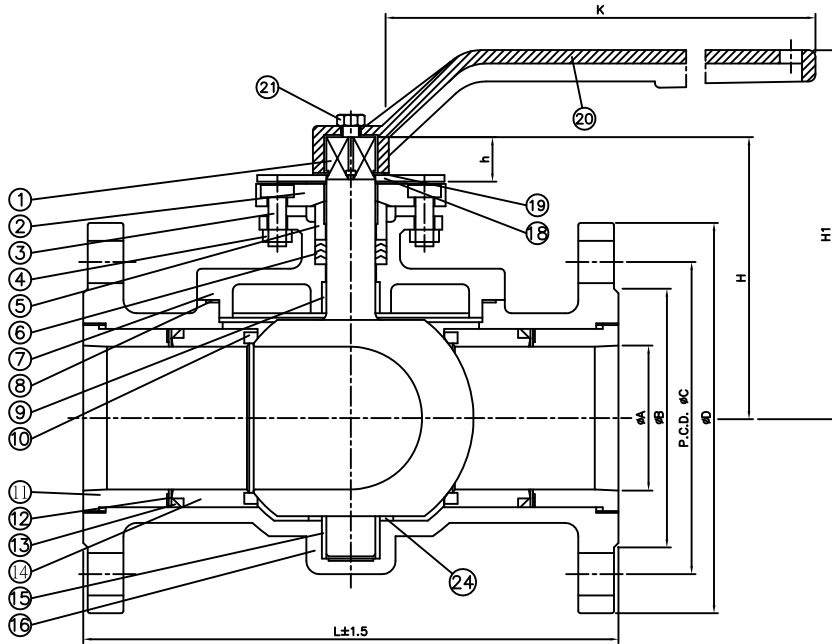
SIZE	DIM	A	B	C	D	D1	E	t	l	J	L	H	H1	h	K	ISO 5211
1"		0.98	2.00	3.12	4.25	0.56	1.65	0.06	0.24	0.43	6.30	3.05	4.47	0.51	5.71	F04
1-1/2"		1.50	2.88	3.88	5.00	0.56	1.97	0.06	0.27	0.55	7.09	4.07	5.67	0.61	8.66	F05
2"		2.0	3.62	4.75	6.00	0.62	2.76	0.06	0.35	0.67	7.87	4.63	6.18	0.77	12.60	F07
2-1/2"		2.52	4.12	5.50	7.00	0.69	2.76	0.06	0.35	0.67	9.45	5.02	6.57	0.77	12.60	F07
3"		3.0	5.00	6.00	7.50	0.75	4.02	0.06	0.43	0.86	10.24	5.96	7.76	0.98	16.93	F10
4"		3.94	6.19	7.50	9.00	0.94	4.02	0.06	0.43	0.86	12.99	6.46	7.99	0.98	16.93	F10
5"		4.80	7.31	8.50	10.0	0.94	4.92	0.06	0.55	1.06	14.57	7.95	9.96	1.26	29.53	F12
6"		5.71	8.50	9.50	11.00	1.00	4.92	0.06	0.55	1.06	16.93	8.70	10.67	1.26	39.37	F12



FOR 5",6"



ISO 5211 MOUNTING PAD



MATERIAL LIST

NO.	DESCRIPTION	MATERIAL	Q'TY
26	HANDLE BAR	CARBON STEEL	1
25	HANDLE BOSS	ASTM A351 CF8	1
24	SPACER	PTFE (5",6"ONLY)	1
23	STOP NUT	S.S.304	1
22	STOP BOLT	S.S.304	1
21	HANDLE BOLT	S.S.304	1
20	HANDLE	ASTM A216 WCB	1
19	C-RING	S.S.304	1
18	STOP PLATE	S.S.304	1
17	BOLT	S.S.304	4-8
16	BODY	ASTM A351 CF8M	1
15	BUSH-B	PTFE+SS316	1
14	HOLDER B	ASTM A351 CF8M	3
13	HOLDER PACKING	TFM1600	3
12	HOLDER SPRING	SUS304CSP	3
11	HOLDER A	ASTM A351 CF8M	3
10	SEAT	PTFE+15%CF	3
9	BUSH-A	PTFE+SS316	1
8	GASKET	PTFE	1
7	CAP	ASTM A351 CF8M	1
6	STEM PACKING	PTFE	1
5	GLAND	S.S.304	1
4	GLAND NUT	S.S.304	2
3	GLAND BOLT	S.S.304	2
2	GLAND FLANGE	ASTM A351 CF8	1
1	BALL	ASTM A351 CF8M	1
NO.	DESCRIPTION	MATERIAL	Q'TY

3 WAY FLANGE BALL VALVE ANSI#150LB (L-PORT)

DATE 2009/6/3

DIM.	CLASS	DIM.						MATERIAL	CF8M	DRAWN
		0.5 3	3 6	6 30	30 120	120 315	315 1000			
CLASS 1	___	0.05	0.05	0.1	0.15	0.2	0.3	WEIGHT(Kg)	APPROVED	
CLASS 2	___	0.1	0.1	0.2	0.3	0.5	0.8	SCALE		
CLASS 3	___	0.15	0.2	0.5	0.8	1.2	2	DRAWING NO.	YK-35L	

J & M INTERNATIONAL LTD

NO	DATE	DESCRIPTION	CONFIRM