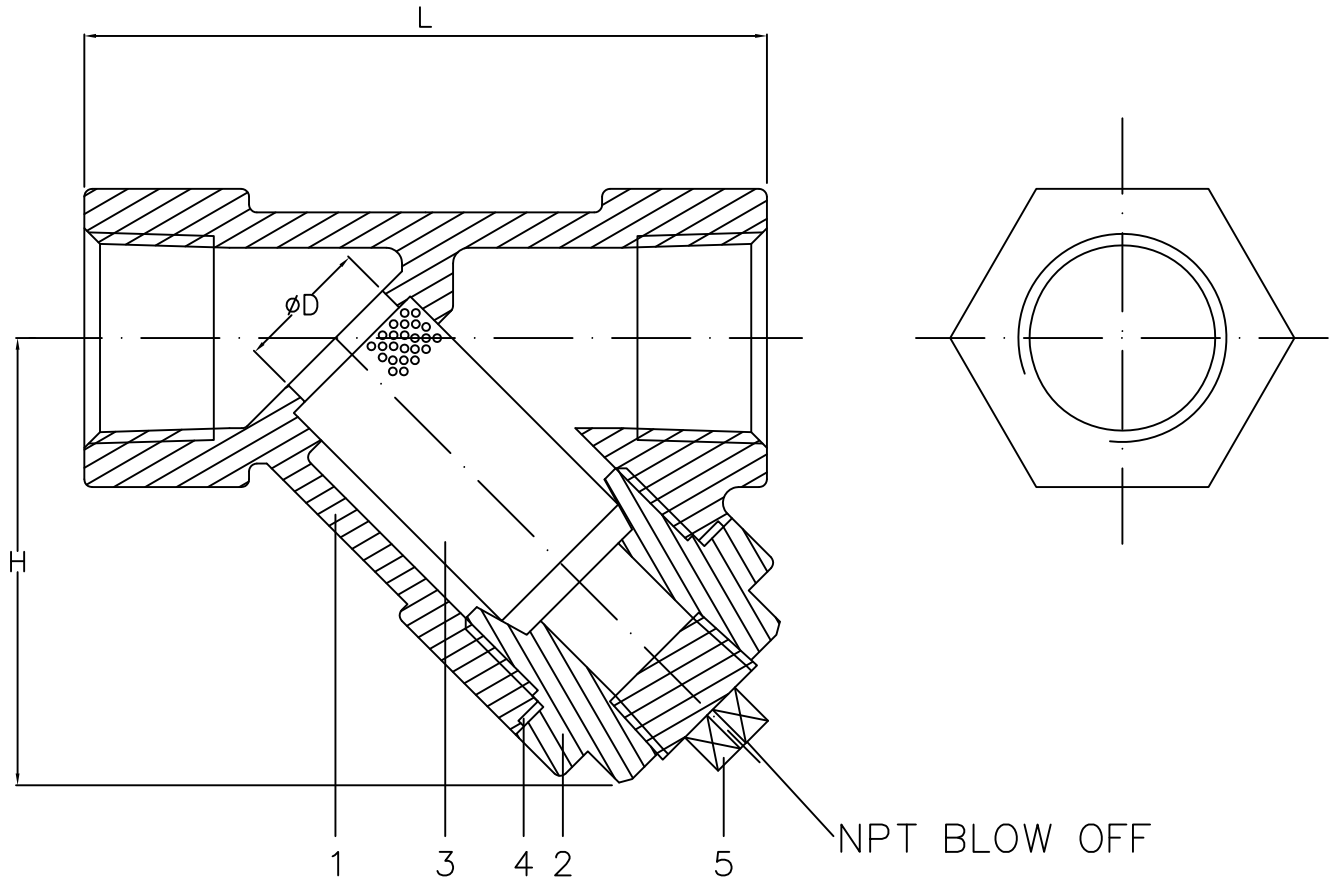


NO	Q'ty	Parts Name	Material
1	1	Body	ASTM A351 CF8M
2	2	Bonnet	ASTM A351 CF8M
3	1	Screen	S.S.316 (18 Mesh)
4	1	Gasket	S.S.316 + Asbestos
5	1	Plug	S.S.316

MODEL # 910
600# STAINLESS STEEL "Y" STRAINER
1/4" ~ 3"



NAME Y-Strainer DATE May 25, 2004 NO MODEL #910

size unit	1/4		3/8		1/2		3/4		1		1 1/4		1 1/2		2		2-1/2		3	
	INCH	MM	INCH	MM	INCH	MM	INCH	MM	INCH	MM	INCH	MM	INCH	MM	INCH	MM	INCH	MM	INCH	MM
D	0.35	9	0.35	9	0.55	14	0.67	17	0.87	22	1.06	27	1.34	34	1.65	42	2.40	61	2.99	76
L	2.64	67	2.64	67	2.99	76	3.43	87	4.06	103	4.72	120	5.31	135	6.30	160	7.87	200	8.86	225
H	1.59	40.4	1.59	40.4	1.99	50.6	2.21	56.2	2.73	69.3	3.13	79.5	3.65	92.6	4.24	107.8	5.28	134	5.72	145.3
Blow off NPT	1/4		1/4		3/8		3/8		1/2		1/2		3/4		3/4		1 1/4		1 1/4	

J&M INTERNATIONAL LTD.