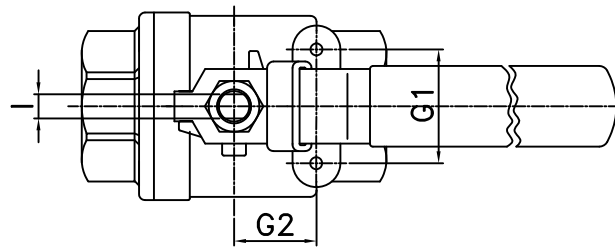
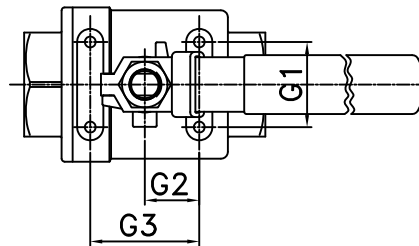


MODEL YK521

FULL BORE
1000 WOG
1/4" - 3"



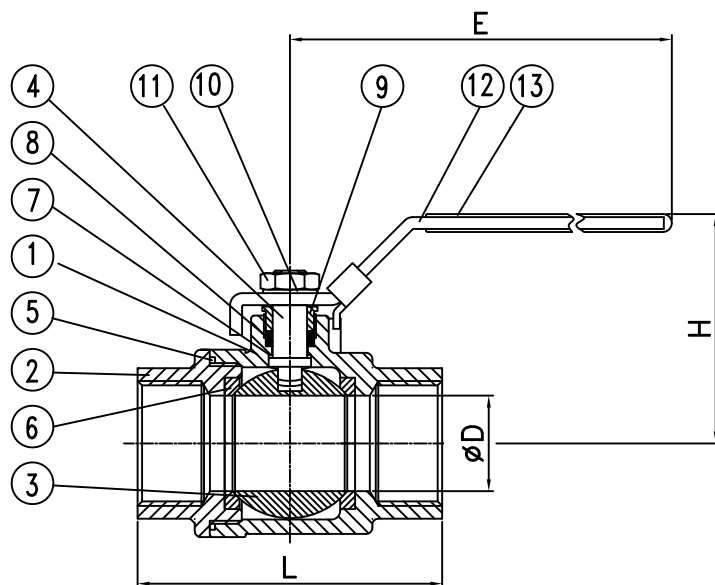
1/4" - 1 1/2"



2" - 3"

■ MATERIALS LIST

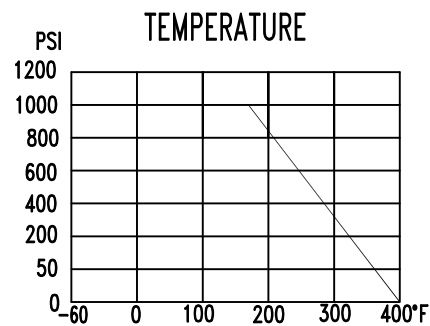
| NO. | PART NAME | Q'TY | MATERIAL |
|-----|---------------|------|----------------|
| 1 | BODY | 1 | ASTM-CF8M-A351 |
| 2 | BODY CAP | 1 | ASTM-CF8M-A351 |
| 3 | BALL | 1 | ASTM-CF8M-A351 |
| 4 | STEM | 1 | SS 316 |
| 5 | BODY SEAT | 1 | PTFE |
| 6 | SEAT | 2 | PTFE |
| 7 | THRUST WASHER | 1 | PTFE |
| 8 | PACKING | 1 | PTFE |
| 9 | GLAND NUT | 1 | SS 304 |
| 10 | STEM WASHER | 1 | SS 304 |
| 11 | STEM NUT | 1 | SS 304 |
| 12 | HANDLE | 1 | SS 304 |
| 13 | COVER | 1 | PLASTIC |



■ DIMENSIONS(INCH)



| SIZE | Ø D | E | H | I | L | G1 | G2 | G3 |
|--------|------|------|------|------|------|------|------|------|
| 1/4" | 0.46 | 4.04 | 1.97 | 0.2 | 2.17 | 1.12 | 0.5 | |
| 3/8" | 0.49 | 4.04 | 1.97 | 0.2 | 2.17 | 1.12 | 0.5 | |
| 1/2" | 0.59 | 5.24 | 2.28 | 0.25 | 2.56 | 1.12 | 0.5 | |
| 3/4" | 0.79 | 5.24 | 2.32 | 0.25 | 2.95 | 1.38 | 0.88 | |
| 1" | 0.98 | 6.02 | 2.72 | 0.31 | 3.5 | 1.38 | 0.88 | |
| 1 1/4" | 1.26 | 6.02 | 2.95 | 0.31 | 3.98 | 1.5 | 1.0 | |
| 1 1/2" | 1.5 | 7.52 | 3.27 | 0.37 | 4.29 | 1.5 | 1.0 | |
| 2" | 1.97 | 7.52 | 3.58 | 0.37 | 4.88 | 1.5 | 1.0 | 2.0 |
| 2 1/2" | 2.56 | 9.72 | 5.04 | 0.47 | 6.3 | 2.17 | 1.38 | 2.76 |
| 3" | 3.15 | 9.72 | 5.39 | 0.47 | 6.93 | 2.17 | 1.38 | 2.76 |



| 修正 REVISION | 日期 DATE | 說明 DESCRIPTION | 繪圖 DRAWN BY | 設計 DESIGNED BY | 比例尺 SCALE |
|-------------|----------|----------------|--------------------|---------------------|------------------|
| △ | 97-12-06 | 3/4", 3" 長度修正 | PETER | PETER | |
| △ | 99-08-21 | 3/4" 長度修正 | 核對 CHECKED BY LUKE | 核准 APPROVAL BY LUKE | 日期 DATE 91-05-20 |

J&M INTERNATIONAL LTD

MODEL YK521

圖號 DRAWING NO.

201